

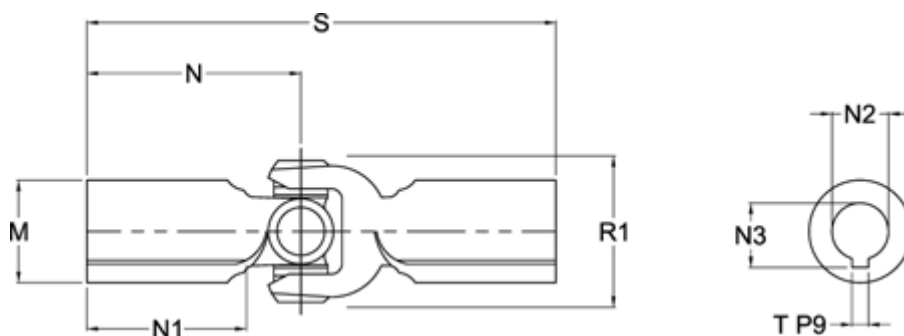
Data Sheet



Article number: 07109403001

Description: Universal joint single 0.109.403.001
S=160 X= Bore 35 H7 with keyway

Measures



| | | |
|----------------------------|-------------|-----------|
| M | = 57 | T = 10 P9 |
| Max. Bending Angle degrees | = 20 | |
| N | = 80 | |
| N1 | = 50 | |
| N2 | = 35 H7 | |
| N3 | = 38,3 +0,2 | |
| R1 | = 86 | |
| S min | = 160 | |